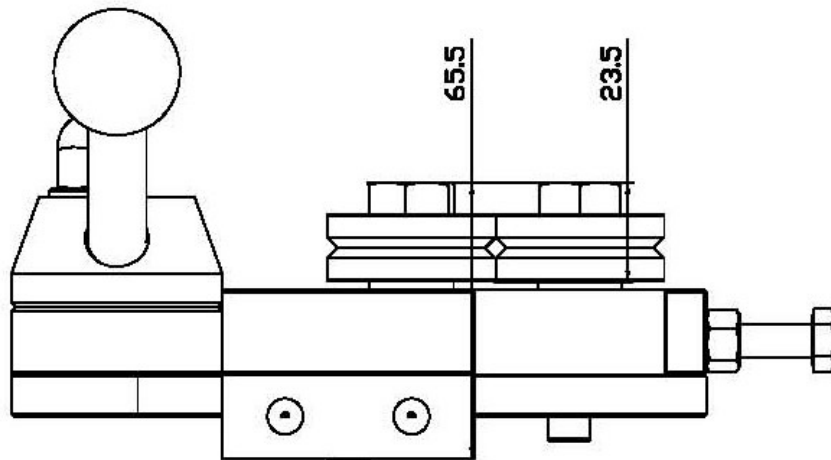
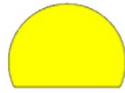




951 NW 31st Avenue, Pompano Beach, FL 33069  
Phone: 954-970-3099 - Fax: 954-970-3056  
E-Mail: sales@cemanco.com

**SQ-11-5**  
**Wire Range 3 - 5mm**





# CEMANCO

[www.cemanco.com](http://www.cemanco.com)

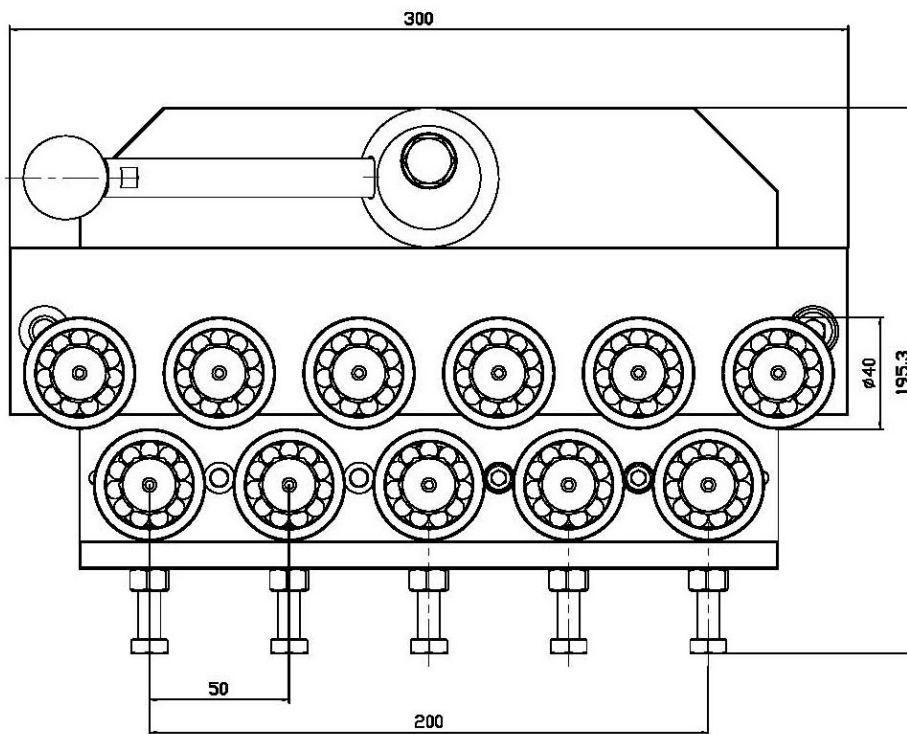
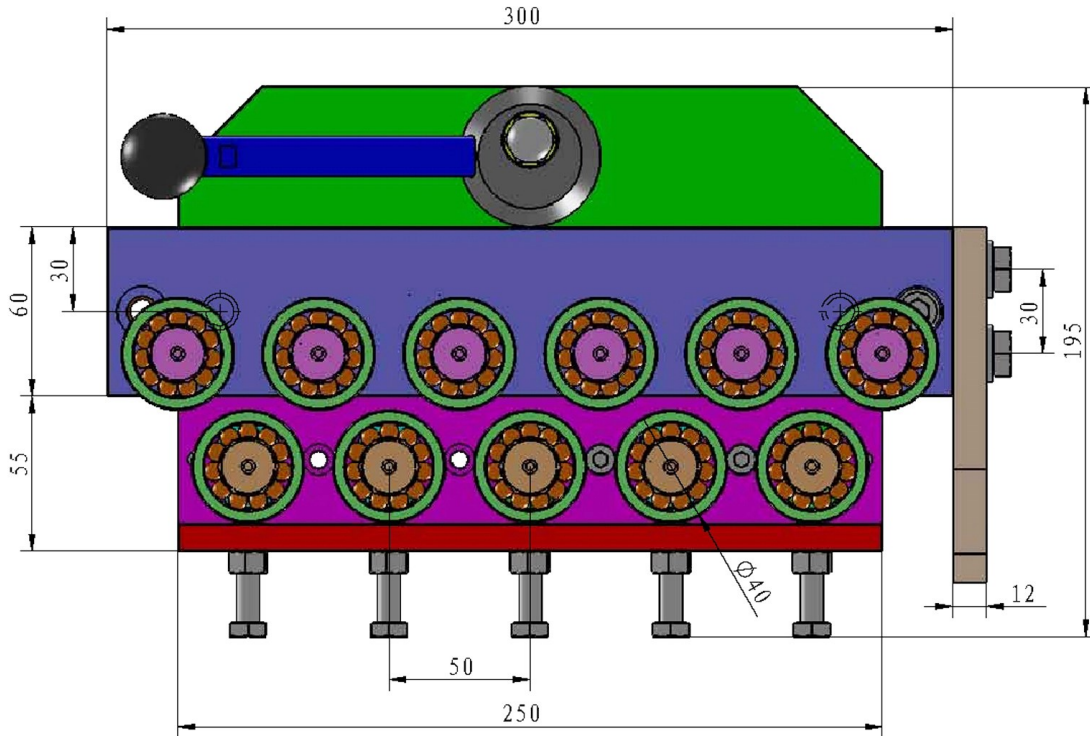
951 NW 31st Avenue, Pompano Beach, FL 33069

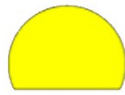
Phone: 954-970-3099 - Fax: 954-970-3056

E-Mail: [sales@cemanco.com](mailto:sales@cemanco.com)

## SQ-11-5

Wire Range 3 - 5mm





# CEMANCO

[www.cemanco.com](http://www.cemanco.com)

951 NW 31st Avenue, Pompano Beach, FL 33069

Phone: 954-970-3099 - Fax: 954-970-3056

E-Mail: [sales@cemanco.com](mailto:sales@cemanco.com)

## SQ-11-5

Wire Range 3 - 5mm

